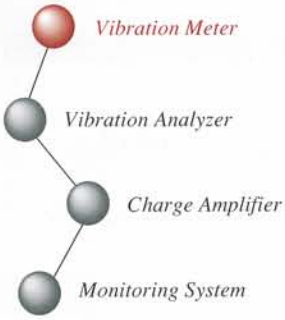


Respond to the needs, "safe and comfortable"

SHOWA



VIBROMETER WITH ANALYZER

MINI VIBRO

Model-1022A

Analog indication type vibrometer featuring compactness and high sensitivity.
Vibration frequency analysis using built-in tunable filter.
For measuring Vibration Severity.



VIBROMETER WITH ANALYZER MINI VIBRO

Model-1022A

Features

- Compact and lightweight precision vibrometer for measuring vibrations of rotary machines, reciprocating machines, etc.
- Applications include measurements of acceleration, velocity and displacement. MINI-VIBRO is most suitable for measuring very small vibrations.
- Built-in frequency analyzing filter allows frequency analysis in a simple operation.
- Velocity measuring function is conformed to JIS B0907(ISO2954) "Standard for Vibration Severity Measuring Instrument".
- Vibration pickup can be hand-held or fixed with screws (M10).
- Optional magnet (MG-2) available for ease of fixing Pickup.
- Analog indication makes reading of fluctuating vibrations easier.

Composition

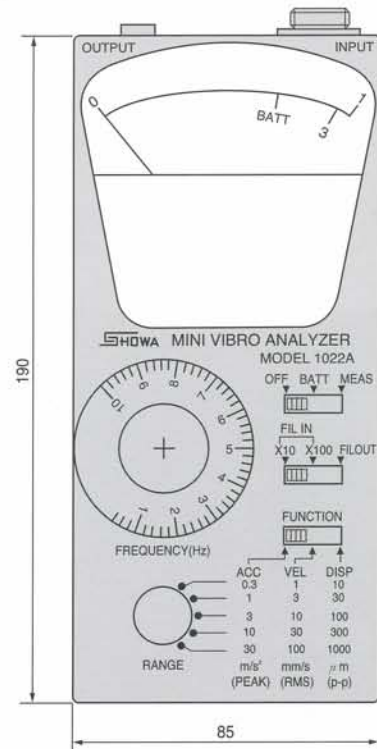
Mini vibro MODEL-1022A	1pc
Vibration pickup MODEL-2008	1pc
Contact pin	1pc
Pickup cable 1m CA2411-1	1pc
Output cable 1m CA1311-1	1pc
Dry cell 006P (9V)	1pc
Carrying case	1pc
Instruction manual	1copy
Magnet holder (MG-2)	option

Specifications

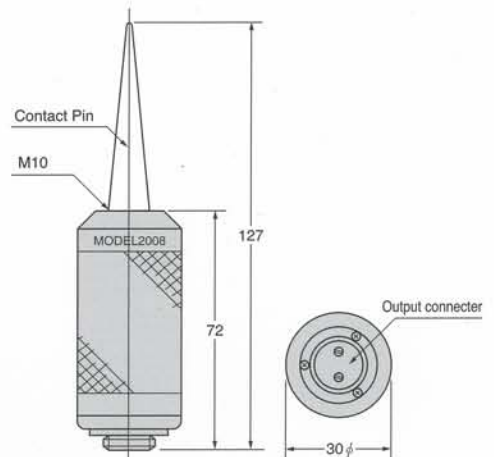
Measurement full scale range (10dB step, 5ranges)	
Displacement range	10, 30, 100, 300, 1000 μ m P-P
Velocity range	1, 3, 10, 30, 100 mm/s RMS
Acceleration range	0.3, 1, 3, 10, 30 m/s ² PEAK
rectifier	True RMS
Indication	Acceleration...EQ Peak Velocity...True RMS Displacement...EQ P-P
Frequency range	10~1000Hz
Analysis filter	10~1000Hz Q=10
AC Output	\pm 1V/Full Scale
DC Output (option)	+1V/Full Scale
Accuracy	Within 3% on the amplitude measurement of sinusoidal wave 80Hz, 10mm/s RMS
Power supply	Dry cell 006P (9V) 1pc 16 hours or more continuous operation
Temperature range	Operation 0°C ~ +50°C Warehouse -20°C ~ +70°C Mini Vibro (W) 85×(H) 190×(D) 55mm 700g Pickup (H) 72×(Dia) 30mm 140g
Dimensions, weight	Contact pin (L) 55mm 20g Magnet holder (H) 30×(Dia) 40mm 260g

Dimensions

Mini Vibro MODEL-1022A



Pickup MODEL-2008



Unit: mm

SHOWA Respond to the needs; "safe and comfortable"

SHOWA SOKKI CORPORATION

Agent:

■ Head Office :
1-5-9, Kandaizumi-cho, Chiyoda-ku, Tokyo, 101-0024 JAPAN.
Phone : 03-3866-3210 Fax : 03-3866-3060

■ Factory :
1-8 Sanda-cho 5-chome, Hachioji, Tokyo, 193-0832 JAPAN.
Phone : 0426-64-3232 Fax : 0426-64-3276

<http://www.showasokki.co.jp/> E-mail: eigyo@showasokki.co.jp