

# *Vibro-Switch Model-1500B*

Detects unusually great vibrations and gives an alarm signal. Sensor, alarm setting and alarm contact are entirely united in one body for ease of operation.



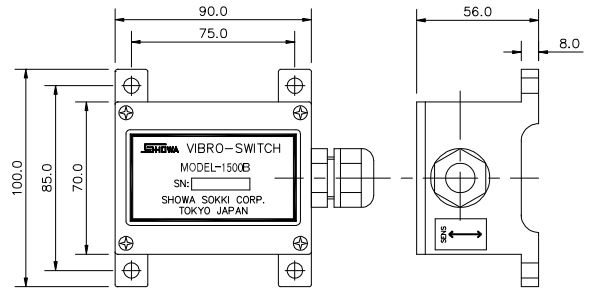
- Compact design, low price and accurate vibration monitoring at 2 upper limits.
- Vibration modes for acceleration, velocity and displacement are selectable with internal switch.
- Drip-proof aluminum housing connectable with cable gland.
- Alarm level setting at a step of 1% from 1 to 99% with internal digital switch
- Two different alarming steps, one for self-holding operation and the other for automatic resetting operation are provided.
- Alarm delay of up to 60 seconds can be set to prevent malfunction.
- Low power consumption of 12mA(Typ) at 24V DC.
- Usable for monitoring vibrations in motors, fans, piping, etc.

# Vibro-Switch

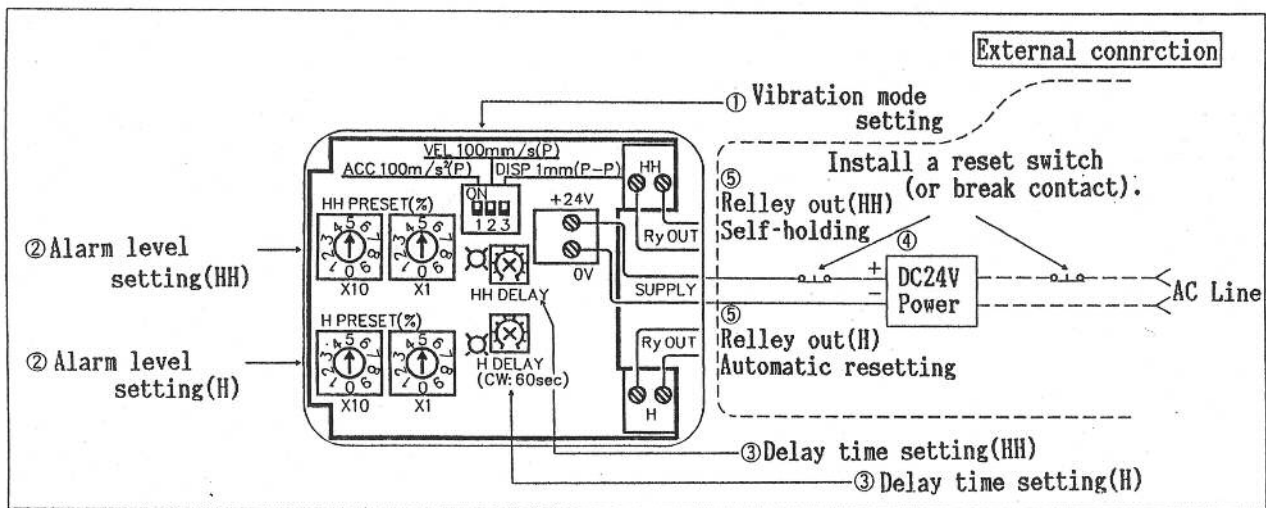
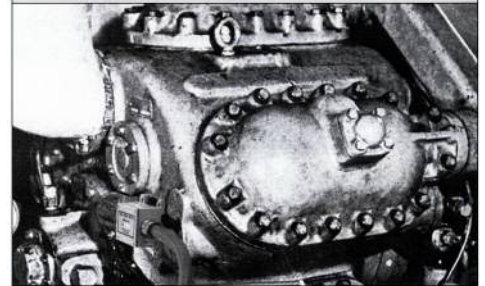
# Model-1500B

## SPECIFICATIONS

Alarm setting range: (Select 1,2 or 3.)	① Acceleration: 1~99m/s <sup>2</sup> (p) ② Velocity: 1~99mm/s(p) ③ Displacement: 0.01~0.99mm(P-P)
Frequency characteristics: (+5%, -10%)	Acceleration: 5~500Hz Velocity: 10~500Hz Displacement: 10~500Hz
Accuracy:	Within 5% (25°C, 80Hz, 10m/s <sup>2</sup> measurement of sinusoidal wave)
Linearity:	Within 1% of full scale
Driving power supply:	DC24V±0.5V, 12mA(Typ), 20mA(max)
Relay operation:	Delay 0 to 60 sec variable Self-holding operation and automatic resetting operation, make contact by MOSFET. (Resetting by turning off driving power supply) Contact rating AC/DC 125V, 0.5A
Housing construction:	Material Aluminium(with neoprene packing) Protection IP-64
Vibration resistance:	10m/s <sup>2</sup> for vibration, 100m/s <sup>2</sup> for shock
Dielectric strength:	1500V AC between relay contact and housing for 1 minute 1500V AC between relay contact and power supply (24V) for 1 minute Power line is connected to housing at 0.1 μF
Applicable electric wire:	0.2~2.5mm <sup>2</sup> (AWG24~16)
Applicable cable:	Outside diameter of cable : φ11~13mm
Operating temperature:	-10°C~+70°C



Example for built-in a machine



**SHOWA** Respond to the needs; "safe and comfortable"

## SHOWA SOKKI CORPORATION

Agent:

■ Head Office:  
1-5-9, Kandaizumi-cho, Chiyoda-ku, Tokyo, 101-0024 JAPAN.  
Phone: 03-3866-3210 Fax: 03-3866-3060

■ Factory  
1547-1Takao-cho, Hachioji, Tokyo, 193-0844 JAPAN.  
Phone: 042-664-3232 Fax: 042-664-3276

<http://www.showasokki.co.jp/> E-mail: [eigyo@showasokki.co.jp](mailto:eigyo@showasokki.co.jp)