

Vibroswitch Model-1500EX

Detects unusually great vibrations and gives an alarm signal.
Can be used in a hazardous area where explosive gasses or
the like are in existence.



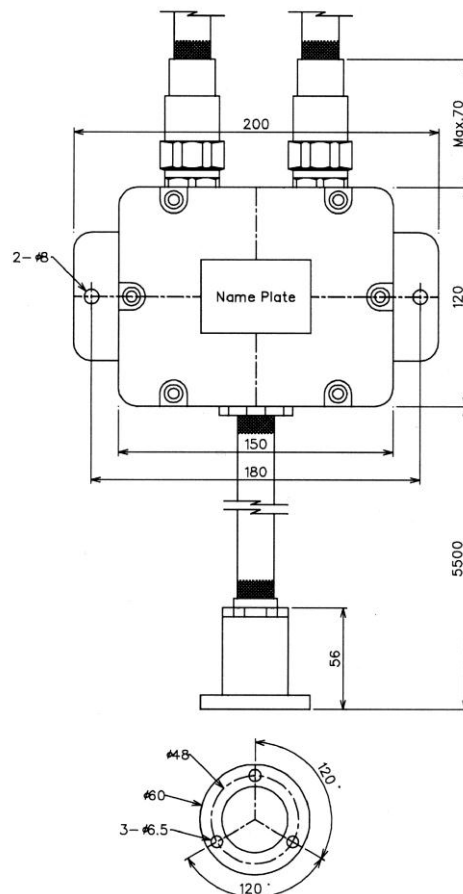
- Can be used in a hazardous area where explosive gases or the like are in existence.
- Vibration modes for acceleration, velocity and displacement can be selected with internal switch.
- The housing is of pressure and explosion-proof construction.
- The sensor is combined with the amplifier via a flexible wire conduit.
- Alarm level setting at a step of 1% from 1 to 99% with internal digital switch.
- Two different alarming steps, one for self-holding operation and the other for automatic resetting operation are provided.
- Alarm delay of up to 60 seconds can be set to prevent an incorrect action.
- Usable for monitoring vibrations in motors, fans, piping, large-sized cranes, etc.

For Explosive Atmospheres *Vibroswitch* **Model-1500EX**

SPECIFICATIONS

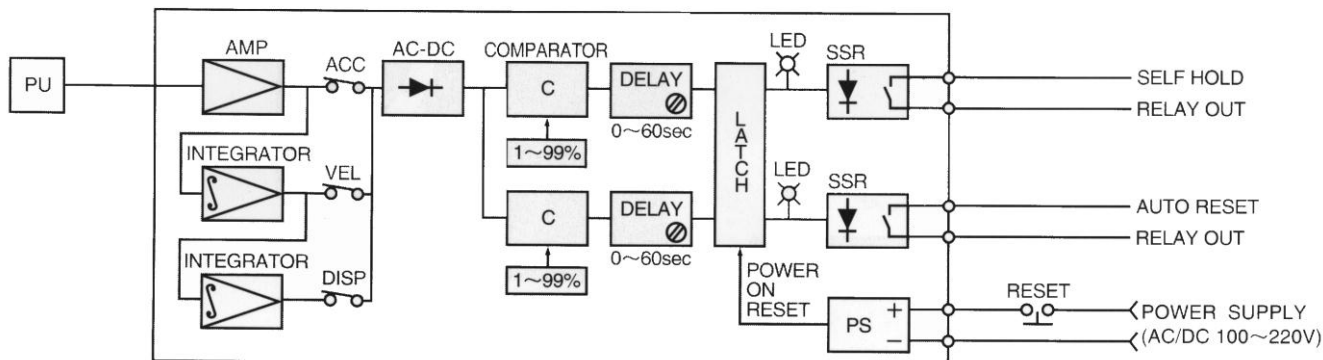
Alarm setting range:	①Acceleration	1~99m/s ² (Peak)
(Select 1, 2 or 3)	②Velocity	1~99mm/s (Peak)
	③Displacement	0.01~0.99mm (P-P)
Frequency range:	10~2000Hz (±10%)	
Accuracy:	Within 5% (at 25°C, 80Hz, 10m/s ² measurement of sinusoidal wave)	
Linearity:	Within 1% of full scale	
Driving power supply:	AC or DC 100~220V (less than 10VA)	
Relay operation:	Delay 0 to 60 sec variable	
	Self-holding operation and automatic resetting operation, make contact by solid state relay.	
	(Resetting by turning off driving power supply)	
	Contact rating AC/DC 125V, 0.5A	
Housing construction:	The pressure and explosion-proof construction	
	Ex dBT6 (Certificate No. C12041)	
Vibration resistance:	Sensor: 10G for vibration, 100G for shock	
	Amplifier: 2G for vibration, 30G for shock	
Dielectric strength:	1500V AC between relay contact and housing for 1 minute	
	1500V AC between relay contact and power supply for 1 minute	

DIMENSIONS



UNIT: mm

BLOCK DIAGRAM AND CONNECTION



Always satisfying needs for Safety and Comfortability.

SHOWA SOKKI CORPORATION

Ondo Bldg, 1-5-9, Kandaizumi-chō, Chiyoda-Ku, Tokyo, 101 JAPAN

Phone : 03-3866-3210 FAX : 03-3866-3060

Factory : 5-1-8 Sanda-chō, Hachioji-shi, Tokyo, 193 JAPAN

Phone : 0426-64-3232 FAX : 0426-64-3276

AGENT: