

Respond to the needs, "safe and comfortable"

SHOWA

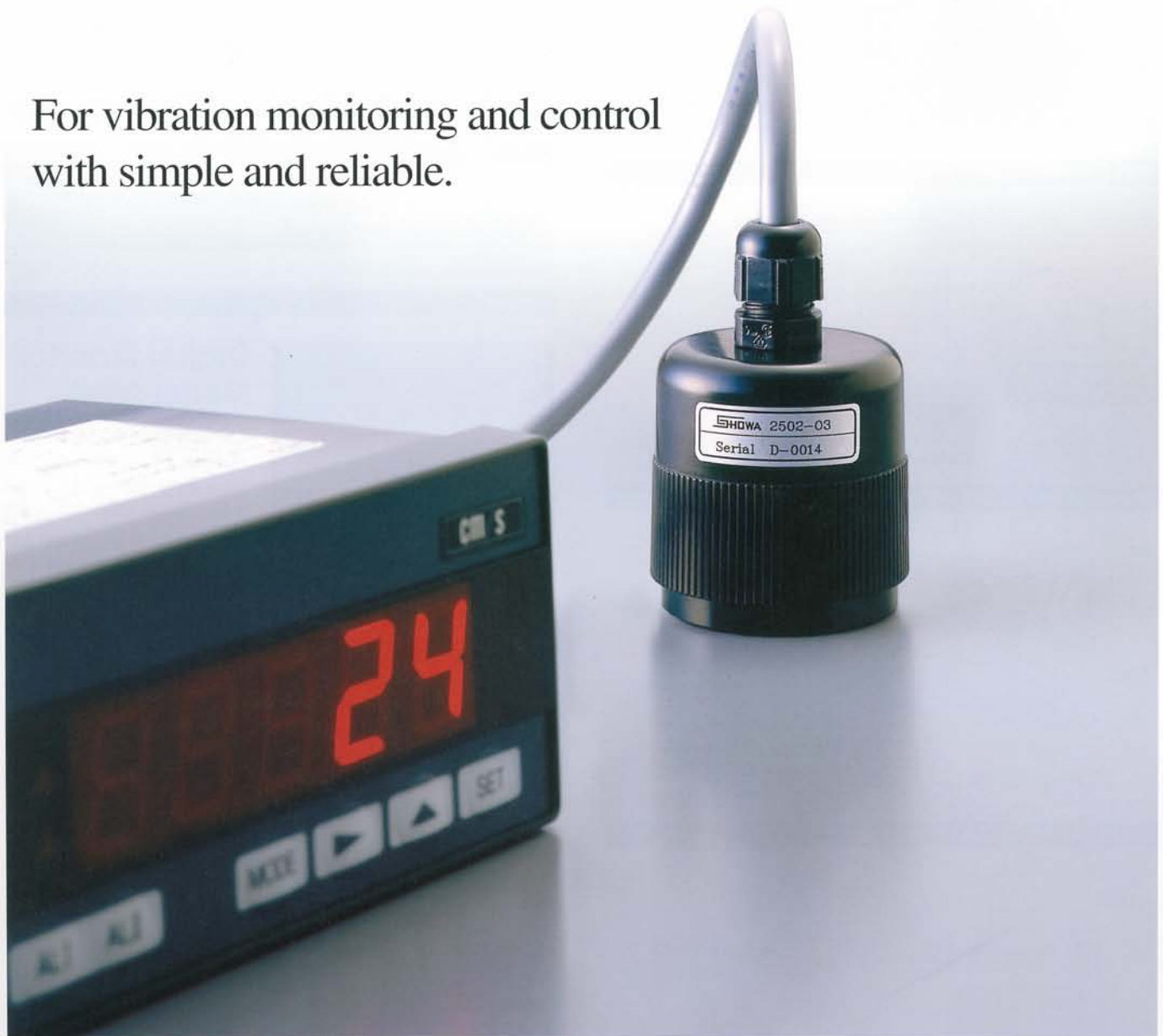
Vibration-Transmitter

VIBRO-CONVERTER

MODEL

2502

For vibration monitoring and control
with simple and reliable.



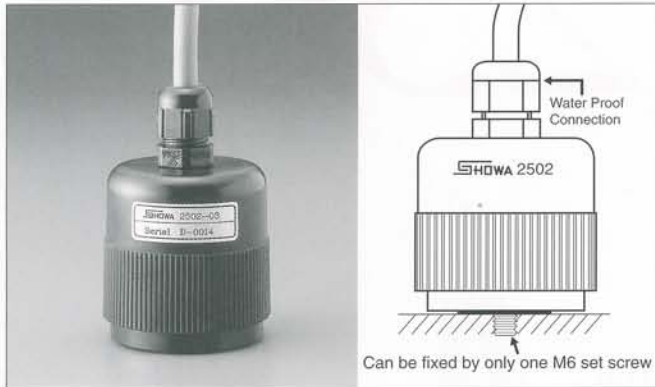
■ FEATURES

- Three types; measurements for displacement, velocity and acceleration.
- As output is 4 to 20 mA, it is possible to connect to recorder, indicator and sequential circuit directly.
- Small size! light weight! low price!
All in one type for sensor, amplifier and transmitter.
- It is only double lines type, joined together for both lines, power supply and signal.

■ APPLICATIONS

- For simple vibration monitoring system with low cost.
- As for assembling into the electric motors, blowers, pumps and the other various rotating machines.
- As the vibration sensor in the automatic inspection system.
- As for the simple type vibration meter.
- For trend recording of vibration level.

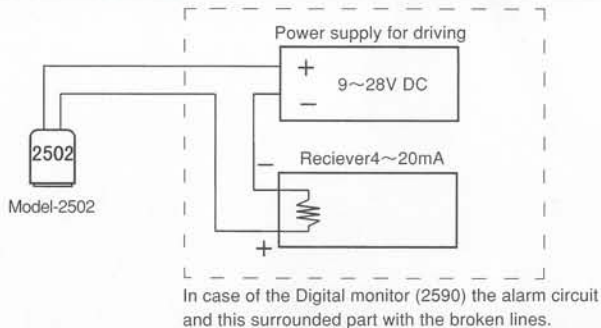
Vibration Transmitter VIBRO-CONVERTER MODEL 2502



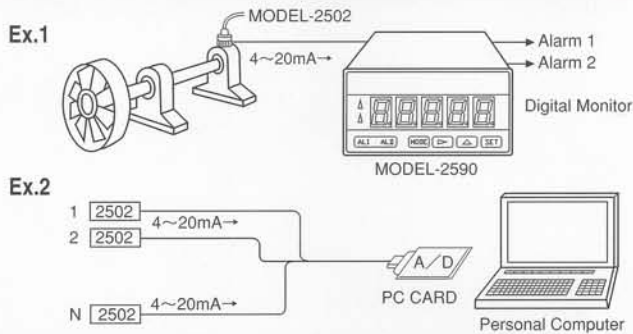
Specifications

Model	2502-03	2502-02	2502-01
Type	Displacement	Velocity	Acceleration
Full scale range	200 μ mP-P	50mm/s RMS	100m/s ² Peak
Measuring range	1%~110% of Full scale		
Output current	4 to 20mA		
Frequency range	10~500Hz	10~1000Hz	5~1000Hz
Linearity	Within 1%		
Accuracy	Within 5% (80Hz, 1/2 Full scale, 20°C)		
Transverse sensitivity	Less than 5%		
Driving voltage	9~28V DC		
Warming up time	10sec. approx		
Ambient temperature	-20°C to +60°C		
Protection	IP64		
Vibration limit	200m/s ² for continuous		1000m/s ² for shock
Resonant frequency	5kHz approx		
Withstand voltage	AC1500V 1minute		
Output cable	3m pig tale		
Dimensions	ϕ 45×H45mm		
Weight	105g without cable		
Accessories	Setscrew M6 $l=10$		
Option	Digital monitor 2590 Mounting base		

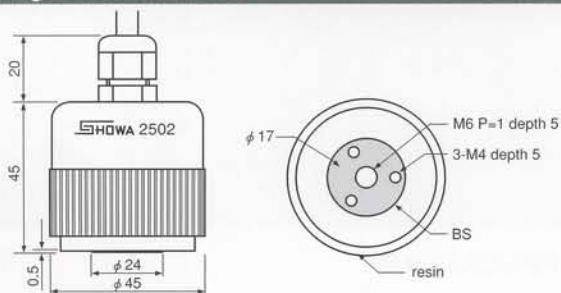
Basic Wiring Circuit



Examples for the indicators and meters to be possible to connect



Drawing for the External View



SHOWA Respond to the needs; "safe and comfortable"

SHOWA SOKKI CORPORATION

■Head Office :
1-5-9, Kandaizumi-cho, Chiyoda-ku, Tokyo, 101 JAPAN.
Phone : 03-3866-3210 Fax : 03-3866-3060
■Factory :
1-8 Sanda-cho 5-chome, Hachioji, Tokyo, 193 JAPAN.
Phone : 0426-64-3232 Fax : 0426-64-3276

Agent: